

# DynaHawk™ QF Series

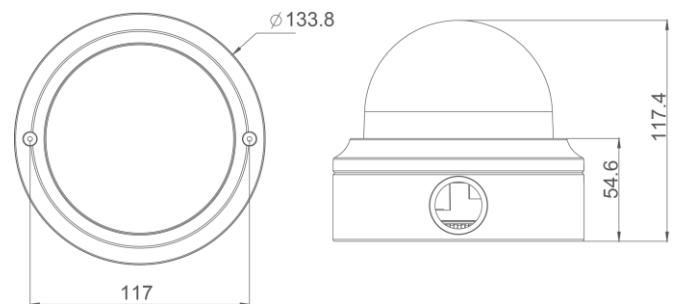
## Prime HDR Mini Rugged Dome IP Camera



The Prime HDR Mini Rugged Dome IP Camera is a high-end surveillance solution with easy set up design. Supporting high quality 3M real time video stream with low bit-rate and Quad Streams Codec (H.264 Baseline / Main / High Profile + MJPEG) offers supreme image quality while keeping efficient bandwidth for storage management. Equipped with HDR function, QF Series provides 2 shutter WDR image, which is suitable for scenarios under extreme light contrast or environments with changing lighting. The compact outlook design of QF Series is ideal for hard surface mount installation, and with standard sized conduit for cabling in outdoor environment. Meanwhile, the modularized design of QF Series makes the installation even more easier by snapping on the camera module after housing installation directly. Mounting accessories like in-ceiling mount, wall mount bracket, pendant mount kit are all available for QF Series.

### Key Features

- Multiple Progressive Scan CMOS Sensor Support up to 4M Resolution
- Multi-exposure HDR\*
- Low Latency Streaming
- Low Power Consumption on Encoding
- Quad codec support (H.264 Baseline / Main Profile / High Profile / MJPEG)
- Quad Streams Support
- Tampering Alarm
- Motion Detection
- Text Overlay and Privacy Masks
- 3D Motion Compensated Noise Reduction (MCTF)
- Network Failure Detection
- True Day / Night Function (ICR)
- IR LED Module support (working distance up to 40m) \*
- BNC Analog Output
- Weatherproof (IP66 International)
- Vandal Proof (IK10 Rating)
- 64GB microSDXC SD Card support
- ONVIF Profile S Support



# DynaHawk™ QF Series - Prime HDR Mini Rugged Dome IP Camera

Camera		Q25H-F		Q25D-F		Q2V6-F	
Image Sensor		1/2.8" Sony Progressive CMOS		1/2.8" Sony Progressive CMOS		1/3" Progressive CMOS	
Effective Pixels		2M		2048(H) x 1536(V)		2688(H) x 1520(V)	
Minimum Illumination	Color	0.02 lux		0.04 lux		0.1 lux	
	B/W	0.001 lux		0.002 lux		0.01 lux	
Shutter Speed				1 ~ 1/10000 sec.			
S/N ratio				>50dB			
Lens							
Lens		Motorized	Auto focus	Vari-focal	Motorized	Auto-focus	Vari-focal
Focal Length		3-9 mm	3-9 mm	2.8-12 mm	3-9 mm	3-9 mm	2.8-12 mm
F Number		F1.7	F1.2	F1.4	F1.2	F1.4	F1.8
FOV		114 ° (Wide); 39 ° (Tele)	113 ° (Wide); 36 ° (Tele)	91.61 ° (Wide); 34.29 °	107 ° (Wide); 36 ° (Tele)	107 ° (Wide); 38 ° (Tele)	91.61 ° (Wide); 34.29 °
							96.21 ° (Wide); 36.09 °
							109 ° (Wide); 33 ° (Tele)
							109.1 ° (Wide); 35.2 °
Operation							
Multiple Languages		English / French / German / Italian / Japanese / Korean / Portuguese / Russian / Simplified Chinese / Spanish / Traditional Chinese					
Iris Control		DC Iris / P-iris					
Backlight Compensation		On / Off					
White Balance		Auto / Manual / ATW / One Push					
Noise Reduction	3D / 2D /	Low / Middle / High / Off (w/ Motion Compensation)					
Wide Dynamic Range		Shutter WDR On / Off (120 dB)					
Privacy Mask		On / Off					
Brightness		Manual					
Exposure		Auto / Manual					
Sharpness		Manual					
Contrast		Manual					
Saturation		Manual					
Hue		Manual					
Digital Zoom		Support					
Privacy Mask		On / Off					
ICR		Auto / Smart / Day / Night					
ICR + IR LED*		Auto / LED On / LED Off / Smart IR / Light Sensor / Day / Night					
Day/Night Threshold		Support					
Motion Detection		By Schedule / On / Off					
Tampering Alarm		By Schedule / On / Off					
Network Failure Detection		By Schedule / On / Off					
Audio Detection		On / Off					
Two-way Audio		Line in / Line Out					
Compression		G.711 / G.726 / AAC / LPCM					
Network							
Interface		RJ-45, 10/100Mbps Ethernet					
Video Compression		MJPEG / H.264 (MPEG-4 Part 10/AVC) Baseline / Main Profile / High Profile					
Dual Streams	Normal Mode	H.264 1080P @25/30 fps + H.264 SXGA @25/30 fps	H.264 3M (2048x1536) @25/30 fps + H.264 d1 @25/30 fps			3M @25/30fps + SVGA @25/30fps 4M @15fps + XGA @15fps Note: 1 of the 2M or under streamings can be MJPEG	
	HDR Mode	H.264 1080P @25/30 fps + H.264 SVGA @25/30 fps	H.264 1080p @25/30 fps + H.264 d1 @25/30 fps			1080p @25/30fps + D1 @25/30fps Note: 1 of the 2M or under streamings can be MJPEG	
Video Streaming	Normal Mode	H.264 1080p@25/30 fps + H.264 720p @25/30 fps + H.264 D1 @25/30 fps + H.264 cif @25/30 fps	H.264 3M (2048x1536) @25/30 fps + H.264 CIF @25/30 fps + H.264 CIF @25/30 fps			H.264 3M (2304x1296) @25/30 fps + H.264 VGA@25/30 fps + H.264 CIF@25/30 fps + H.264 CIF @25/30 fps	
	HDR Mode	H.264 1080p(30/25 fps) + H.264 cif(30/25 fps) + H.264 cif(30/25 fps) + H.264 cif(30/25 fps)	H.264 1080p @25/30 fps + H.264 cif @25/30 fps + H.264 cif @25/30 fps + H.264 cif @25/30 fps			H.264 1080p @25/30 fps + H.264 SVGA@15 fps + H.264 CIF@15 fps + H.264 CIF@15 fps	
Video Resolution	H.264	Full HD 1080P / SXGA / 720P / XGA / SVGA / D1 / VGA / CIF / CIF / QVGA	3M (2048x1536) / Full HD 1080P / SXGA / 720P / XGA / SVGA / D1 / VGA / CIF / QVGA			4M / 3M / Full HD 1080P / SXGA / HD 720P / XGA / SVGA / D1 / VGA / CIF	
Protocol	MJPEG	Full HD 1080P / SXGA / HD 720P / XGA / SVGA / D1 / VGA / CIF					
Security		IPV4/v6, TCP/IP, UDP, RTP, RTSP, HTTP, HTTPS, ICMP, FTP, SMT, DHCP, PPPoE, UPnP, IGMP, SNMP, QoS, ONVIF					
		HTTPS / IP Filter / IEEE 802.1X					
Alarm	Input	1 Set 5V 10kΩ pull up					
	Output	1 Set Photo Relay Output 300V DC/AC					
Audio	Line in	Max 6.2 Vpp for line signal Input Impedance: 20KΩ					
	Microphone in	Max 1 Vpp for microphone Input Impedance: 10KΩ					
Event Notification		HTTP / FTP / SMTP					
SD Card		microSDXC 64GB support					
Supported Web Browser		Internet Explorer (7.0+) / Firefox / Safari					
User Account		20					
Password Levels		User and Administrator					
Mechanical							
Built-in IR Illuminator*	Working Distance	up to 40 m					
	Wavelength	850 nm					
	Number of LEDs	8					
LED Indicator		Power / ACT					
	Alarm	4 of 9 Pin Terminal Block					
	Power	2 Pin Terminal Block (male)					
Connectors	Ethernet	RJ-45					
	Analog Video	1.0 Vp-p / 75 Ω, BNC					
	Audio*	5 of 9 Pin Terminal Block					
General							
Start-Up Temperature	w/o Heater	-20°C ~ 50°C (-4° ~ 122°F)					
	w/Heater	powered by DC12V/AC24V/PoE: -55°C ~ 50°C (-67° ~ 122°F)					
Operating Temperature	w/o Heater	-30°C ~ 50°C (-22° ~ 122°F)					
	w/Heater	powered by DC12V/AC24V/PoE: -50°C ~ 50°C (-58° ~ 122°F)					
Humidity		10% ~ 90%, No Condensation					
Weatherproof Standard*		IP66					
Dimension		Ø 133.8 x 117.4 mm (Ø 5.2 x 4.6 in.)					
Weight		760 g (1.70 lb)					
Power Source		DC 12V / DC 24V / AC 24V / PoE (802.3af)					
Power Consumption	Operation(802.3af) System	DC 12V: 3W / AC 24V: 2.8W / PoE: 2.6W					
	Operation(802.3af) Others	Zoom/Motorized/Vari-focal Lens: +0.55W / IR LED: +4W / Heater: +4W / ICR Switching: +0.5W / SD Card: +0.6W					
	Cold start (802.3af) Heater	8.5W					
Regulatory		CE / FCC					
Approvals		IEC61000-4-2/ EN 50130-4 ; IEC61000-4-3/ EN 50130-4 ; IEC61000-4-4/ EN 50130-4 ; IEC61000-4-5/ EN 50130-4 ; IEC61000-4-6/ EN 50130-4					

\* mark for optional items  
Product specification and availability are subject to change without notice.



**DYNACOLOR, INC.**  
No. 116, Jou Tz Street, Neihu, Taipei 114, Taiwan  
TEL: (886)2-2659-8898 FAX: (886)2-2659-8868  
http://www.dynacolor.com.tw info@dynacolor.com.tw